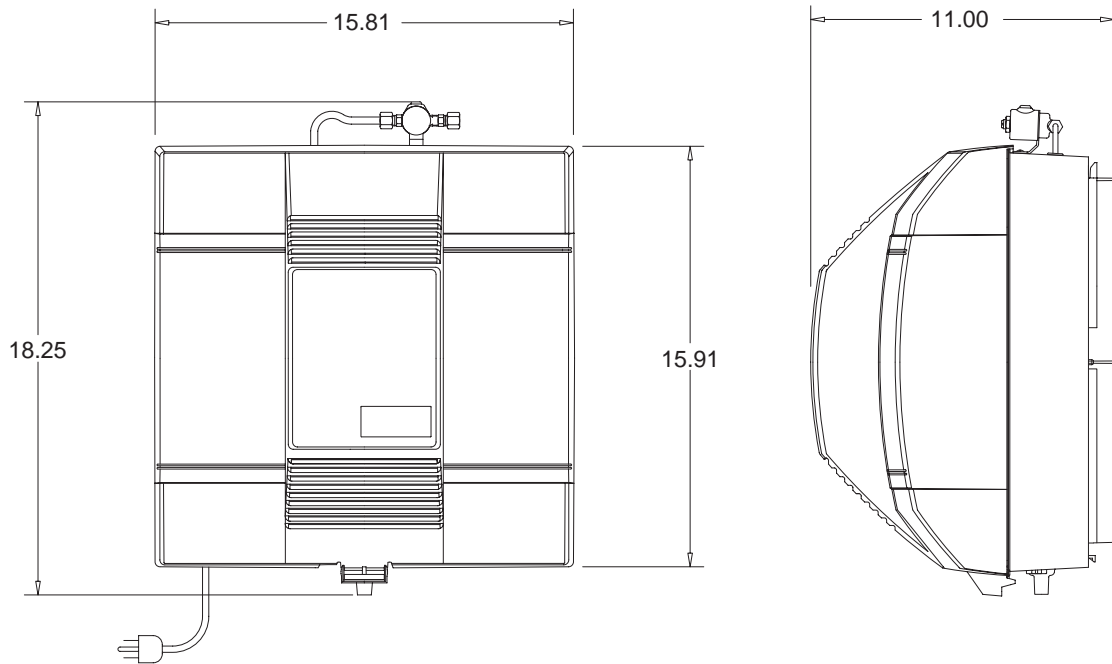


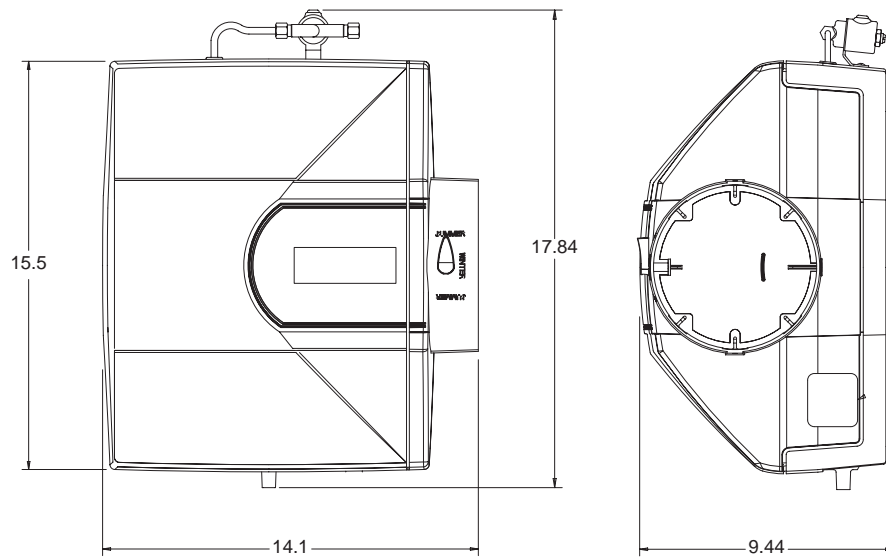
General Data

MODEL	THUMD500PA00A	THUMD300ABA00A	THUMD200ABA00A
RATED VOLTS/PH/HZ	120/1/60	24/1/60	24/1/60
RATE GALLONS / DAY	18	17	12
Water Feed Rate (Gal/hr)	6	6	3
AIRFLOW	Fan	Bypass	Bypass
Water Flow	Drain	Drain	Drain
120 V LINE CORD	Yes	N/A	N/A
Min. Brch. Cir. Ampacity ^③	10	N/A	N/A
LOW VOLTAGE 24V 60 Hz			
Amps	.1	0.50	0.50
VA(Max)	2.4	12	12
Watts	2.4	6	6
CONNECTIONS			
Water (Potable) Inlet	1/4-in Copper Tubing	1/4-in Copper Tubing	1/4-in Copper Tubing
Water Drain	1/2-in plastic hose	1/2-in plastic hose	1/2-in plastic hose
Bypass Opening (Duct)	N/A	6 in round	6 in round
DIMENSIONS			
Crated (in.)	18.4 x 17.2 x 13.5	18.7 x 15.0 x 11.5	15.8 x 15.2 x 11.5
Uncrated (in.) H x W x D	18.3 x 15.8 x 11.0	17.8 x 14.1 x 9.4	14.9 x 13.8 x 9.4
Duct Opening W x H	14-3/16 x 14-7/8	12.5 x 9.75	9-1/2 x 9-3/8
WEIGHT			
Shipping (lbs.) / Net (lbs.)	20 / 17	15 / 12	14 / 11
STANDARD EQUIPMENT (included)			
Humidistat	Automatic Humidifier Control 24 V	Automatic Humidifier Control 24 V	Manual Humidifier Control 24 V
Transformer	N/A	120V / 24V 12 VA	120V / 24V 12 VA
Water Valve	Solenoid, 24 VAC	Solenoid, 24 VAC	Solenoid, 24 VAC
Fan Motor	1/70 HP 120 VAC	N/A	N/A
Relay	SPST 24 VAC	N/A	N/A
Saddle Valve	Included	Included	Included
Damper (Summer / Winter)	N/A	Included	Included
ACCESSORIES (not included)			
Humidifier Pad Model No.	BAYPAD02A1310A	BAYPAD02A1310A	BAYPAD01A1010A
Size in.	13 x 10 x 1-11/16	13 x 10 x 1-11/16	9-7/8 x 9-5/8 x 1-11/16
Automatic Humidifier Control	Included	Included	TCONTH01AUTOA
Current Sensing Relay	BAYRLY10ASENSA	BAYRLY10ASENSA	BAYRLY10ASENSA
Duct Plate for Manual Humidifier Control	N/A	N/A	BAYPLT01AMHCOA

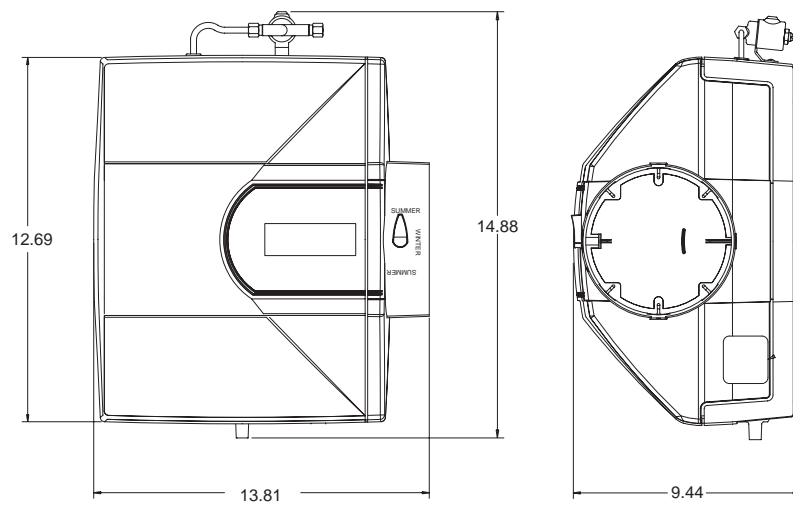
THUMD500PAOOA FAN POWERED HUMIDIFIER



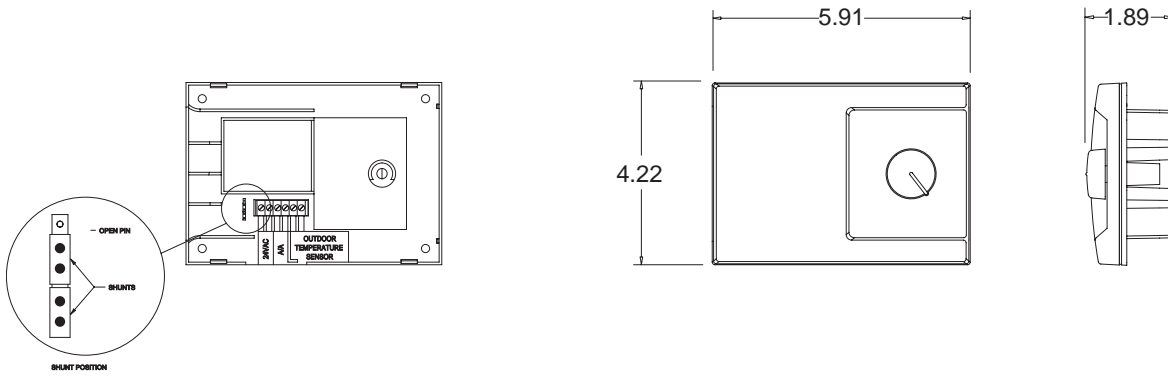
THUMD300ABOOA LARGE BYPASS HUMIDIFIER



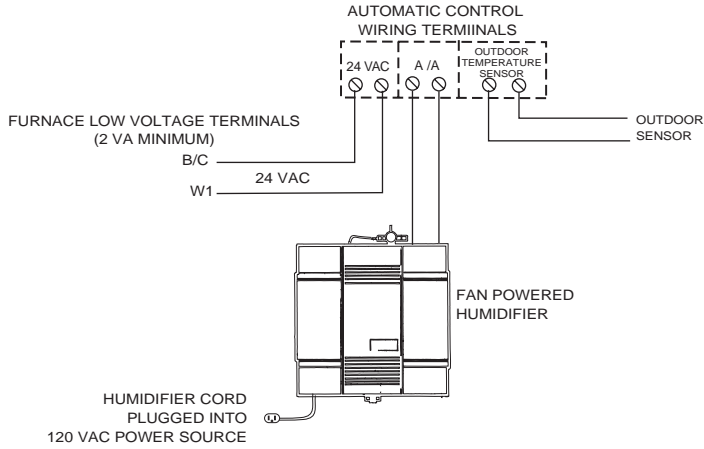
THUMD200ABOOA SMALL BYPASS HUMIDIFIER



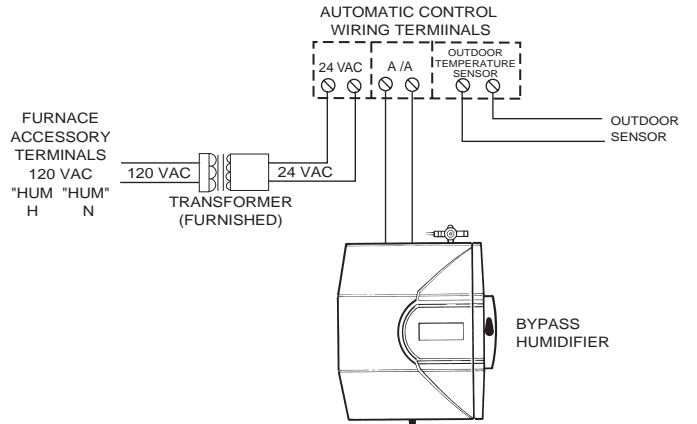
TCONTH01AUTOA AUTOMATIC HUMIDIFIER CONTROL



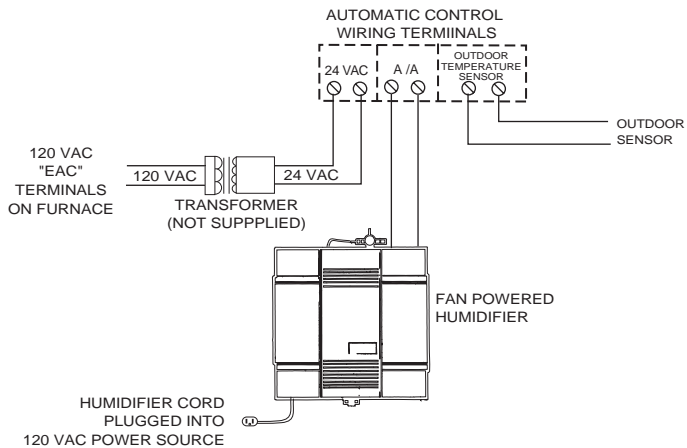
FOR OPERATION DURING "HEATING CALL" ONLY



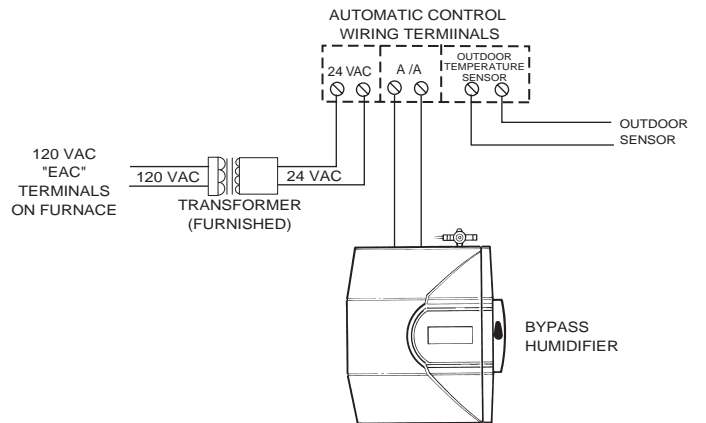
FOR OPERATION DURING "HEAT CALL" ONLY



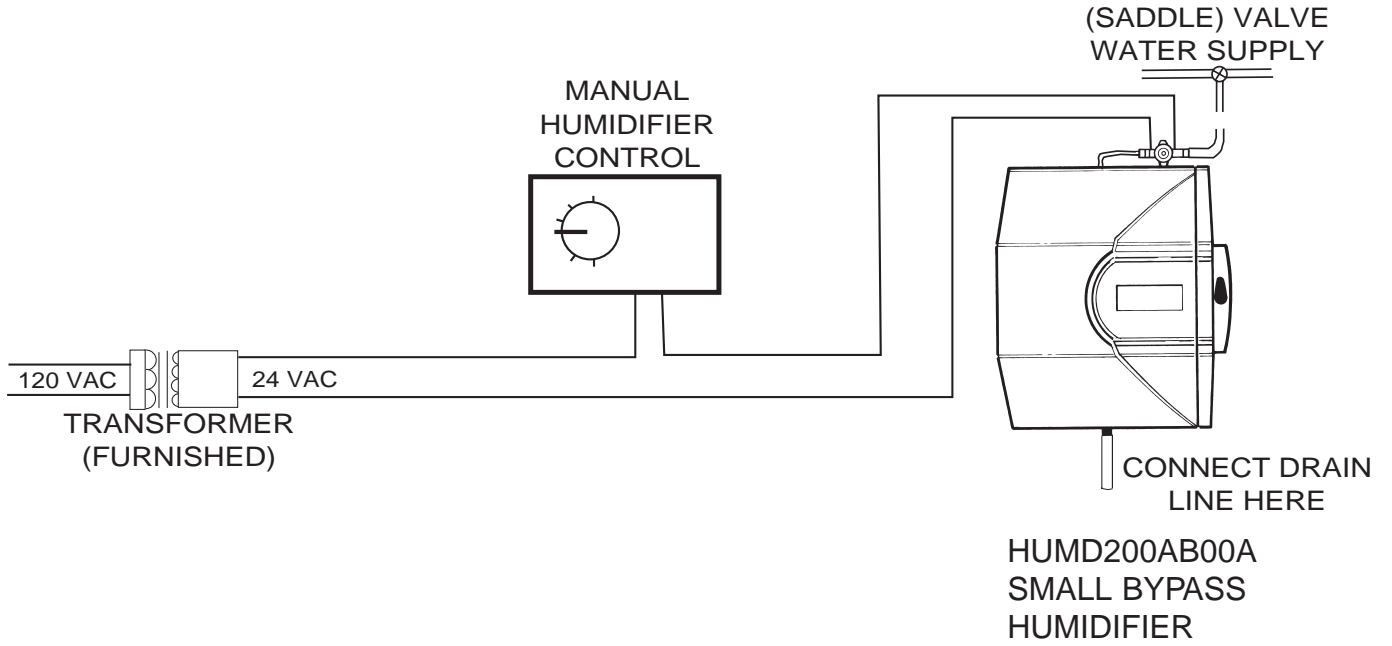
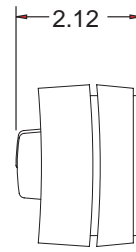
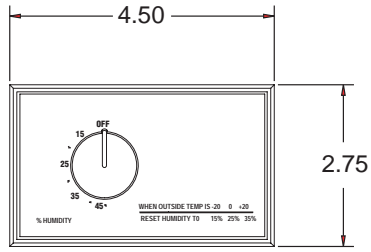
FOR HUMIDIFIER OPERATION WHEN BLOWER IS ENERGIZED



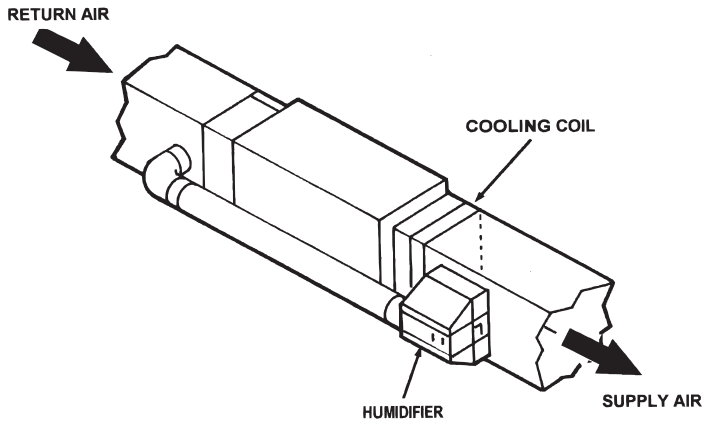
FOR HUMIDIFIER OPERATION WHEN BLOWER IS ENERGIZED



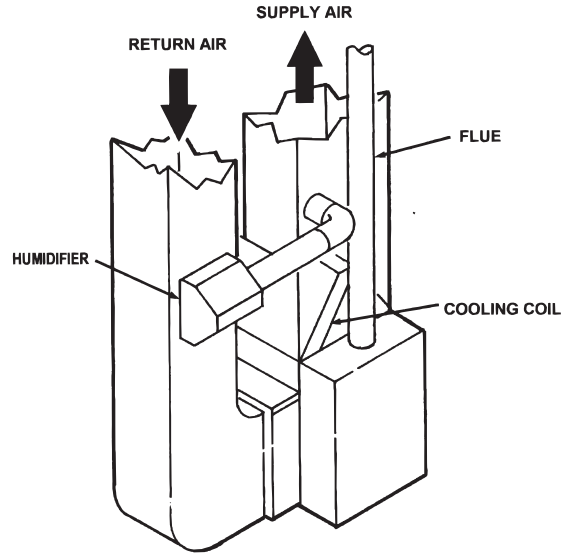
MANUAL HUMIDIFIER CONTROL (SHIP With THUMD200AB00A)



SUGGESTED BYPASS HUMIDIFIER LOCATIONS

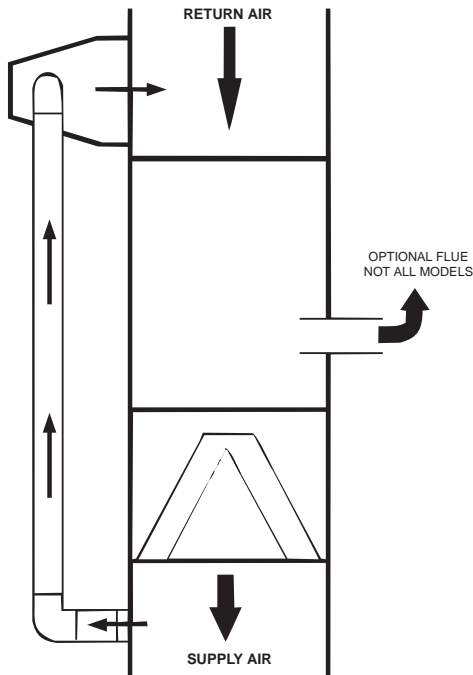


HORIZONTAL FURNACE



UPFLOW FURNACE

OPTION "B" FRONT OF FURNACE OR FRONT MOUNT



UPFLOW FURNACE

OPTION "A" REAR OF FURNACE OR REAR MOUNT

