



VENMAR KUBIX™ HRV

Part no. 44100

35 to 70 CFM (0.4 in. w.g.)



THE KUBIX™ HRV: SAVINGS FROM EVERY ANGLE!

The Kubix™ HRV is the ideal choice for condominiums, apartments and other limited space applications that require up to 70 cfm of continuous ventilation. With its compact size and 4-inch vertical ports, it can be installed in small spaces such as a closet or mechanical room above a hot water tank.

- At just 30 lb (13.6 kg), it can be installed without opening the unit
- Features integrated hooks to simplify installation
- Removable terminal block to ease auxiliary wall control connections
- Less than 4 sones at 64 cfm

REPAIRS AND MAINTENANCE

All parts of the Kubix™ HRV that could need maintenance can be removed in less than five minutes, allowing direct access for easy repairs. The PSC motor is permanently lubricated.

WARRANTY

The Kubix™ HRV is protected by a 2-year warranty on parts only. The heat recovery core is covered by a limited lifetime warranty, with the original proof of purchase.

Available at:

HEAT RECOVERY VENTILATOR

Controls

- This unit is very simple to operate: once it is installed, use its push button, located on the unit top left side, to control it.
- Also, up to 5 of the following auxiliary wall controls can be added:
 - 20-min. lighted push button no. 12030
 - 60-min. crank timer no. 00910
 - Dehumidistat no. 11297

Options

- Complete line of registers and diffusers
- Exclusive wall mounting bracket no. 19255

Defrosting System

The Kubix™ HRV defrosts on a fixed cycle of 25 minutes air exchange and 5 minutes defrost, independent of the outside temperature.

Heat Recovery Core

Dimensions: 10" x 10" x 5.5" (25.4 cm x 25.4 cm x 14 cm)

Exchange surface: 42.3 ft² (3.9 m²)

Weight: 4 lb (1.8 kg)

Material: Polypropylene

Type: Crossflow

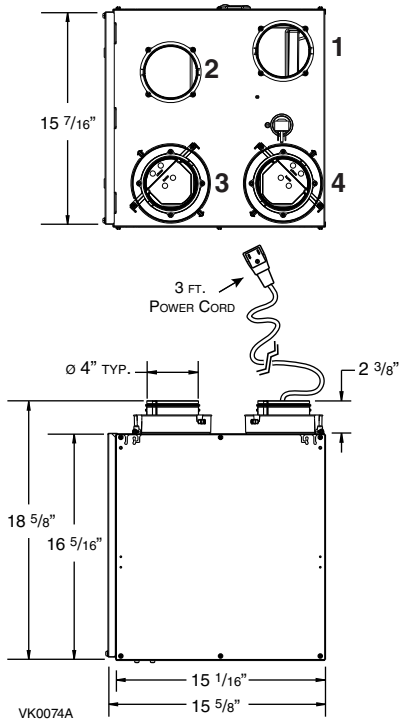
Warranty: Limited Lifetime

Requirements and Standards

- Complies with the UL 1812 requirements regulating the installation of Heat Recovery Ventilators
- Complies with the CSA C22.2 no. 113 Standard applicable to ventilators
- Complies with CSA C444 requirements regulating the installation of Heat Recovery Ventilators
- Technical data was obtained from published results of tests relating to CSA C439 Standards
- HVI certified

Dimensions: Kubix™ HRV

- 1: FRESH AIR TO BUILDING PORT
- 2: EXHAUST AIR FROM BUILDING PORT
- 3: FRESH AIR FROM OUTSIDE PORT
- 4: EXHAUST AIR TO OUTSIDE PORT



Ventilation Performance

EXT. STATIC PRESSURE	IN. W.G.	NET SUPPLY AIR FLOW			GROSS AIR FLOW					
		L/S	CFM	M ³ /H	SUPPLY			EXHAUST		
PA		L/S	CFM	M ³ /H	L/S	CFM	M ³ /H	L/S	CFM	M ³ /H
25	0.1	39	82	139	39	83	141	43	90	153
50	0.2	37	78	133	38	80	136	40	86	146
75	0.3	35	73	124	35	74	126	39	82	139
100	0.4	33	71	121	34	72	122	37	78	133
125	0.5	31	66	112	32	67	114	35	73	124
150	0.6	30	63	107	30	64	109	33	71	121
175	0.7	28	59	100	28	60	102	31	65	110
200	0.8	25	54	92	26	55	93	28	60	102
225	0.9	23	49	83	24	50	85	26	55	93

Energy Performance

SUPPLY TEMPERATURE	NET AIR FLOW	POWER CONSUMED	SENSIBLE RECOVERY EFFICIENCY	APPARENT SENSIBLE EFFECTIVENESS	LATENT RECOVERY/MOISTURE TRANSFER			
						°C	°F	L/S
HEATING								
0	32	17	36	61	40	55	70	0.01
0	32	31	65	110	54	48	59	0.02
-25	-13	18	38	65	41	53	72	0.01
COOLING								
35	95	-	-	-	-	TOTAL RECOVERY EFFICIENCY		-

NOTE: All specifications are subject to change without notice.

Specifications and Ratings

- Model: Kubix™ HRV
- Part Number: 44100
- Total Assembled Weight (including polypropylene core): 30 lb (13.6 kg)
- Round 4" ducts
- Drain: 1/2" (1.2 cm) fittings with 10 ft (3 m) PVC drain
- Core filters: 2 washable Merv 6 9.2" x 14.25" x 3.8" (23.4 cm x 36.2 cm x 9.6 cm)
- Housing: Pre-painted steel
- Insulation: Expanded polystyrene
- Mounting: Suspension by chains and springs or optional wall bracket
- Supply & Exhaust Blower Motor: 1 motor
 - Protection type: Thermally protected
 - Insulation class: B
- Speed Control on unit: Low speed and Standby
 - Other modes available with auxiliary wall controls
- Heat Recovery Core:
 - Heat Exchange Surface Area: 42.3 ft² (3.9 m²)
 - Type: Crossflow
 - Material: Polypropylene
- Unit Electrical Characteristics:

Volts	Frequency	Ampere	Watts
120	60 Hz	0.5	60

PROJECT:	REMARKS
LOCATION:	
MODEL NO.:	
QTY.:	
SUBMITTED BY:	DATE: